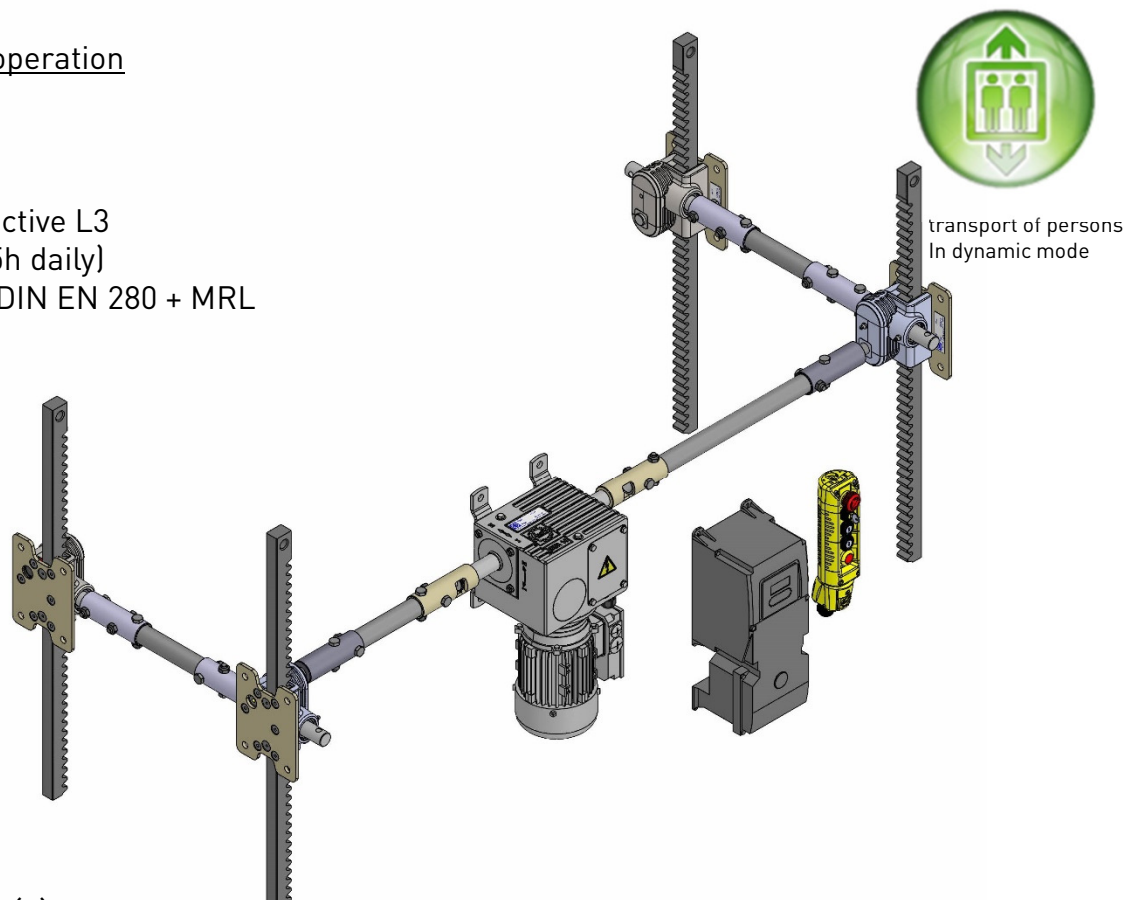


→ SYSTEM-KIT 90000.0002.7678



Transport of persons and goods in dynamic operation

Lifting load max.	5 kN
Stroke length max. (*)	800 mm
Lifting speed appr.	864 mm/min.
Engine group (DIN 15020)	1Cm at load collective L3
Useful life (**)	400 h at T1 ($\leq 0,25$ h daily)
Operating standard	DIN EN 1570-1 / DIN EN 280 + MRL
Ambient temperature	-5°C to +60°C
Protection class	IP 55
Input speed max.	120rpm
Supply voltage	230V 1~ / 50Hz



transport of persons
In dynamic mode

(*) Unfavorable load distribution max. 50% of the lifting load each rack

(**) Duration $t_i < 5$ min. Then $t_p > 30$ min

CE conformity / risk analysis of the entire system is carried out by the customer

Connecting shaft
provided by the customer