

→ SYSTEM-KIT 90000.0002.7566

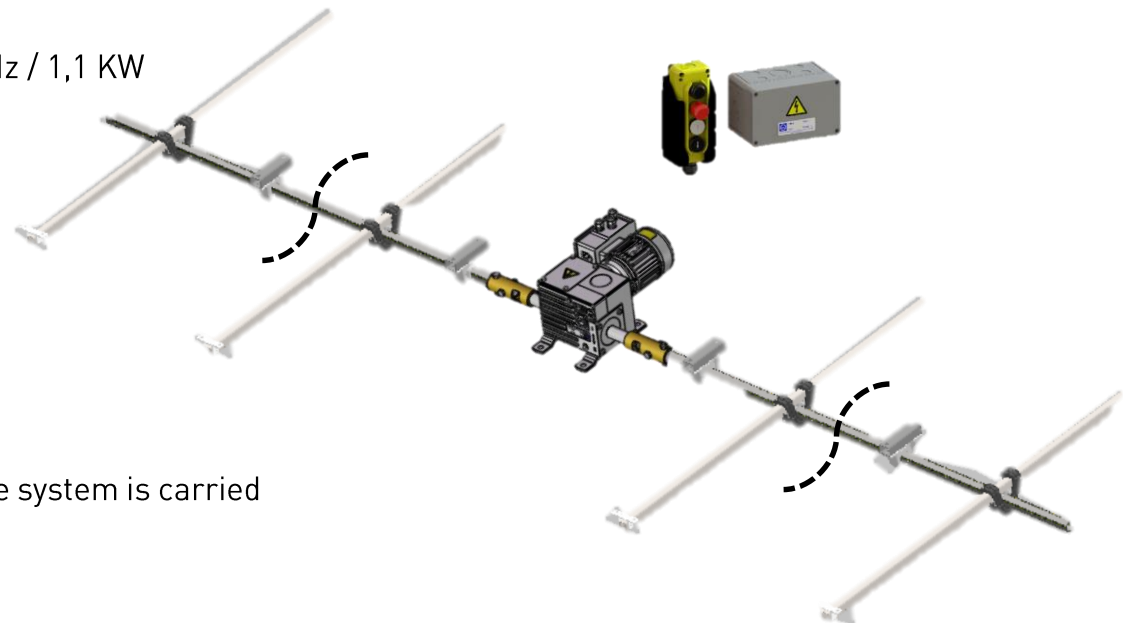


No transport of persons and goods

| | |
|--------------------------|--|
| Lifting load max. | 4 kN |
| Stroke length max. (*) | 1.850 mm |
| Lifting speed appr. | 1500 mm/min. |
| Engine group (DIN 15020) | 1Cm at load collective L3 |
| Useful life (**) | 200 h at T1 ($\leq 0,13$ h daily) |
| Operating standard | MRL (CE) |
| Ambient temperature | -5°C to +50°C / Optional down to -25°C |
| Degree of protection | IP 55 |
| Performance Level | (PL)c |
| Supply voltage | 230V 1~ / 50Hz / 1,1 KW |
| Shaft speed | 11 U/min. |
| (Gearbox output) | |



No transport of persons
In dynamic mode



(*) max. 500N load each rack

(**) Duration $t_i > 5$ min, then $t_p > 30$ min

CE conformity / risk analysis of the entire system is carried out by the customer



= Erweiterung

Connecting shaft
provided by the customer