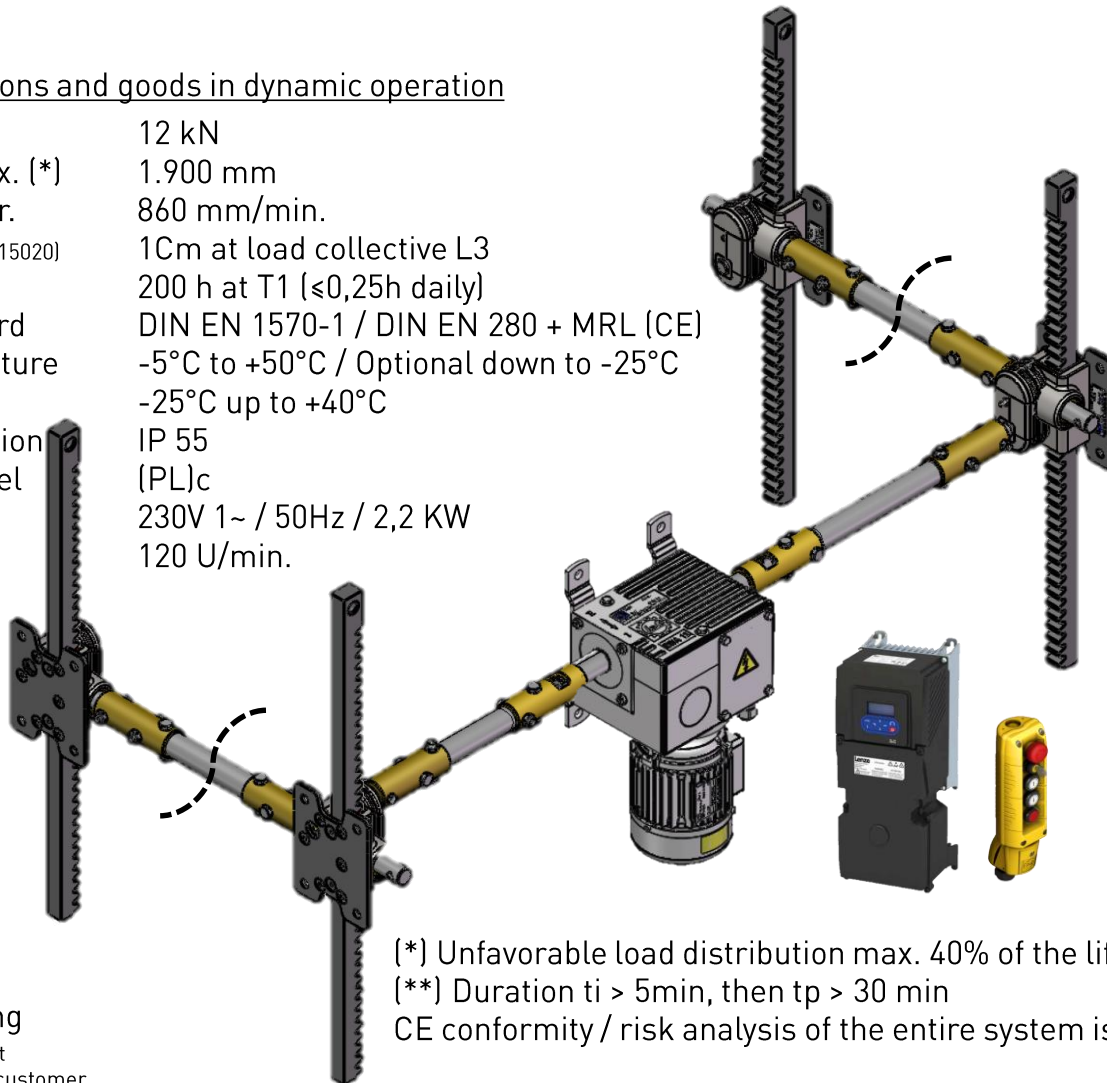


→ SYSTEM-KIT 90000.0002.7561



Transport of persons and goods in dynamic operation

Lifting load max.	12 kN
Stroke length max. (*)	1.900 mm
Lifting speed appr.	860 mm/min.
Engine group (DIN 15020)	1Cm at load collective L3
Useful life (**)	200 h at T1 ($\leq 0,25$ h daily)
Operating standard	DIN EN 1570-1 / DIN EN 280 + MRL (CE)
Ambient temperature	-5°C to +50°C / Optional down to -25°C
/ Control box	-25°C up to +40°C
Degree of protection	IP 55
Performance Level	(PL)c
Supply voltage	230V 1~ / 50Hz / 2,2 KW
Shaft speed	120 U/min.
(Gearbox output)	



Transport of persons
In dynamic mode

 = Erweiterung
Connecting shaft
provided by the customer

(*) Unfavorable load distribution max. 40% of the lifting load each rack

(**) Duration $t_i > 5$ min, then $t_p > 30$ min

CE conformity / risk analysis of the entire system is carried out by the customer