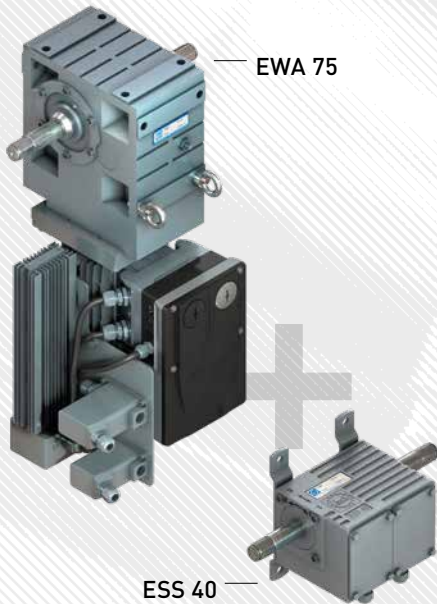


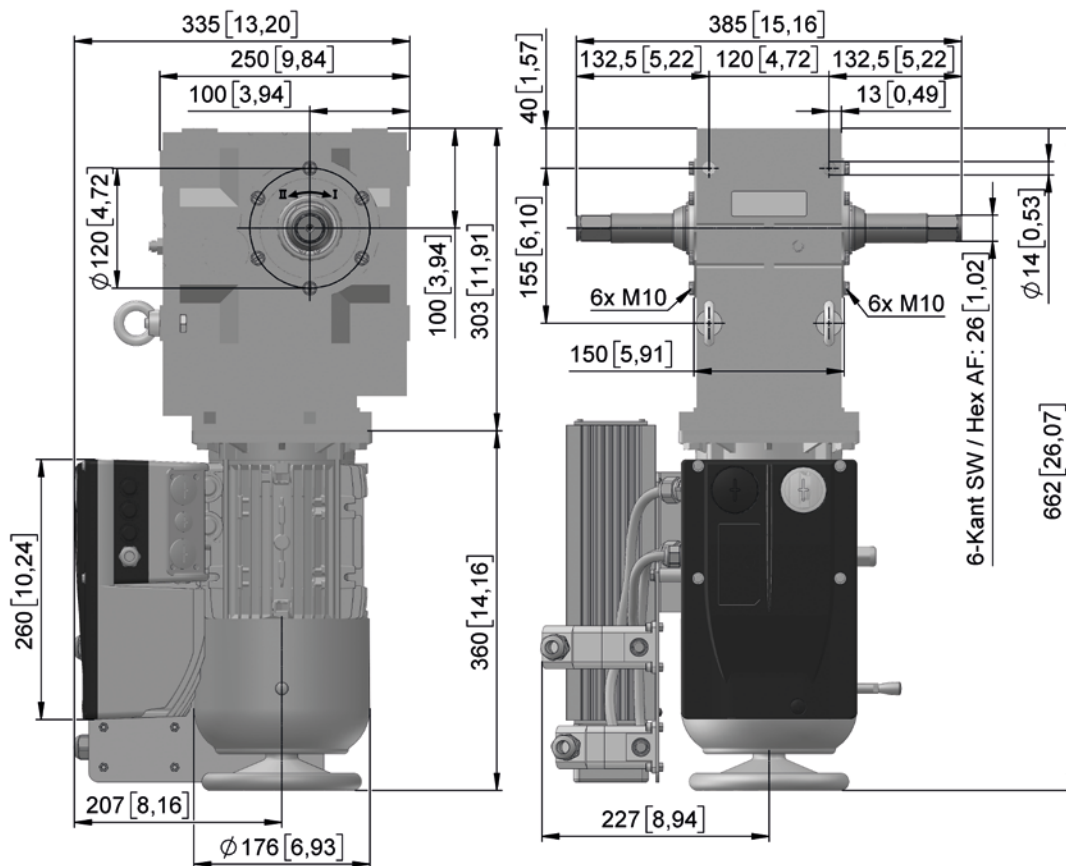
TurboLogic



- Special drive EWA 75 for torque ratings of up to 1200 Nm with motor-integrated high-performance frequency inverter for high adjustment speeds. For the ventilation of greenhouses, in particular convertible structures or group ventilation systems.
- Specialist application: roller building.
- With frequency inverter, large speed range of 9 to 35 rpm at full torque of up to 1200 Nm is possible. Integrated Soft Start and Soft Stop to protect the entire system.
- External limit switch system ESS 40 with control unit LSC 40 or END 20 gear limit switch for end positions/slow travel/normal travel.
- As an option with position feedback PAR 06/PAR 10 for END 20. Expansion to „Luv/Lee“ option by second limit switch box ESS 40 for further intermediate positions.
- Activation by means of 1/0 switch contacts (potential-free) at control voltage of 24 V from FU. External DC 24 V activation is possible. Three-phase power supply. ED = 60%, IP 55, ISO-F. No reversible contactor required!
- Standard colour RAL 7037.
- US version with 480 V/60 Hz and CURus available on request.

Option:

- LAZ 90.30 manual control unit.



mm [inch]

TurboLogic

EWA 75



Version	Type no.	T [Nm]	n1 [1/min]	n2 [1/min]	P [kW]	I [A]	m [kg]
400 V 3~, 50 Hz							
EWA 75.9030	12175.9030.6630	900	9,0	30,0	2,70	6,30	71,0
EWA 75.9223	12175.9223.6630	1200	9,0	23,0	2,70	6,30	71,0

TurboLogic

ESS 40



Version	Type no.	END 20.20	END 20.40	Info
ESS 40.0266	33040.0266.2071	1 x	–	2 switch points
ESS 40.0466	33040.0466.2071	2 x	–	4 switch points
ESS 40.0466	33040.0466.2072	1 x	1 x	4 switch points, including 2 with additional switch

→ More extensive product information on p. 12

Accessories



Version	Type no.	Info	m [kg]
EWA 75.9801	12175.9801.01	Hand control unit	1,6