

SpeedLogic SPL 30

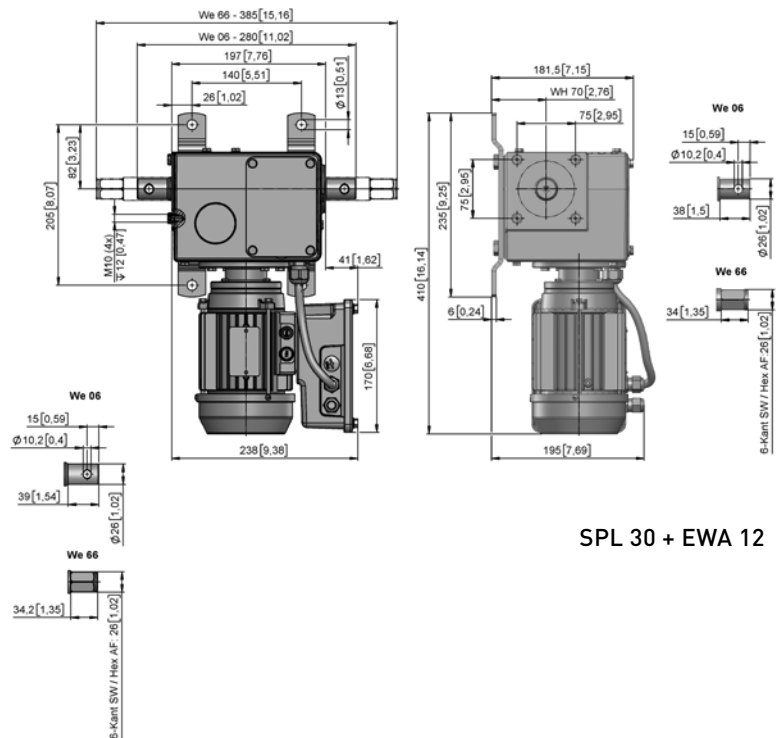
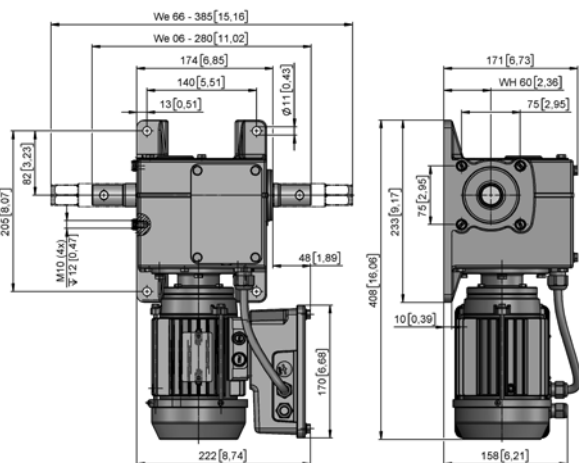


- SPL 30 surface-mounted frequency inverter for EWA 10-EWA 12.
- Allows for 2 speeds, up to 15 rpm.
- Special parameterization adapted to EWA 10 & EWA 12.
- Single-phase supply 230V/50Hz, 240V/60Hz and 120V/60Hz available.
- Integrated end position switch-off.
- Connection based on "plug & play principle".

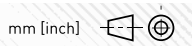
Note:

- Different options for parameterization depending on the feed.
- Significantly reduces the power drive variants required.
- Customer and application specific solutions available.
- Experts available for support.
- UL/CSA certified connection cable for outdoor use in North America.
- Torque cut-off via motor measurement.

SPL 30 + EWA 10



SPL 30 + EWA 12



SpeedLogic

EWA 10-EWA 12



Version	We 06	We 66	Info	m [kg]
	Art.Nr.	Art.Nr.		
230 V, 50 Hz 1~ // 120 V, 60 Hz 1~ // 240 V, 60 Hz 1~				
EWA 10.0905	12210.0905.0656	12210.0905.6656	Please select SPZ configuration parameters from our table.	19
EWA 12.2501	12212.2501.0656	12212.2501.6656		19,4
EWA 12.2506	12212.2506.0656	12212.2506.6656	You need other values? Our experts will be happy to advise you	20,8
EWA 12.2509	12212.2509.0656	12212.2509.6656		21,9

EWA Version	SPZ Version	Short text	T [Nm]	n1 50 Hz [1/min]	n2 50 Hz [1/min]	I [A]
230 V, 50 Hz						
EWA 10.0905	37030.0101.0001	SPZ 30 EWA 10.0905+11rpm 90Nm	90	11,0	11,0	3,2
EWA 10.0905	37030.0101.0003	SPZ 30 EWA 10.0905+3,6 rpm 90Nm	90	3,6	3,6	1,4
EWA 12.2506	37030.0201.0007	SPZ 30 EWA 12.2506+3,5 rpm 250Nm	250	3,5	3,5	3,2
240 V, 60 Hz						
EWA 10.0905	37030.0100.0002	SPZ 30 EWA 10.0905+15 rpm 90Nm	90	15,0	15,0	3,1
EWA 10.0905	37030.0101.0004	SPZ 30 EWA 10.0905+4,6 rpm 90Nm	90	4,6	4,6	1,5
EWA 12.2506	37030.0201.0006	SPZ 30 EWA 12.2506+4,0 rpm 250Nm	250	4,0	4,0	3,2
120 V, 60 Hz						
EWA 10.0905	37030.0101.0002	SPZ 30 EWA 10.0905+4,6 rpm 90Nm	90	4,6	4,6	2,9
EWA 12.2506	37030.0201.0002	SPZ 30 EWA 12.2506+3,0 rpm 50Nm	50	3,0	3,0	2,4
EWA 12.2506	37030.0201.0003	SPZ 30 EWA 12.2506+3,0 rpm 90Nm	90	3,0	3,0	2,8
EWA 12.2506	37030.0201.0004	SPZ 30 EWA 12.2506+2,0 rpm 150Nm	150	2,0	2,0	3,3
EWA 12.2501	37030.0201.0005	SPZ 30 EWA 12.2501+1,0 rpm 250Nm	250	1,0	1,0	2,9