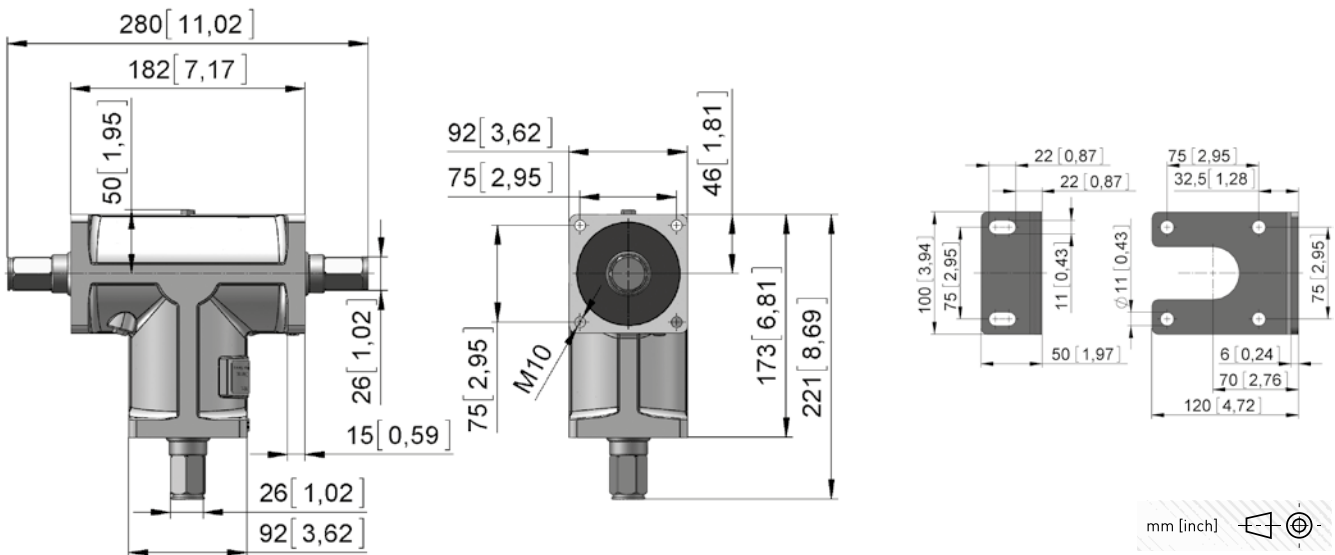


KRG 23 // Deflection gear unit

350 Nm

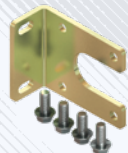


- Powerful 90° bevel gear with high efficiency rating.
- Installation dimensions adapted to suit our EWA power drives.
- Cast housing with bevel gears made of hardened steel, not self-locking, housing sealed.
- Input shaft and output shaft WE 66 (hex waf 66).
- Assembly angle MPL in every 90° position with scope for installing leg facing outwards or inwards.
- Input speed, max. 40 rpm.
- All shafts are equally well suited for use as input or as output shafts.



Version	Type no.	T output [Nm]	T input [Nm]	i	m [kg]
KRG 23.1140	62523.1140.66	350	370	1:1	7,7

Accessories



Version	Type no.	Info	m [kg]
MPL 56.1012	82556.1012.11	Assembly bracket incl. 4 screws	0,7