

KKS 10, KKS 14 // Chain coupling 1° angle adjustment

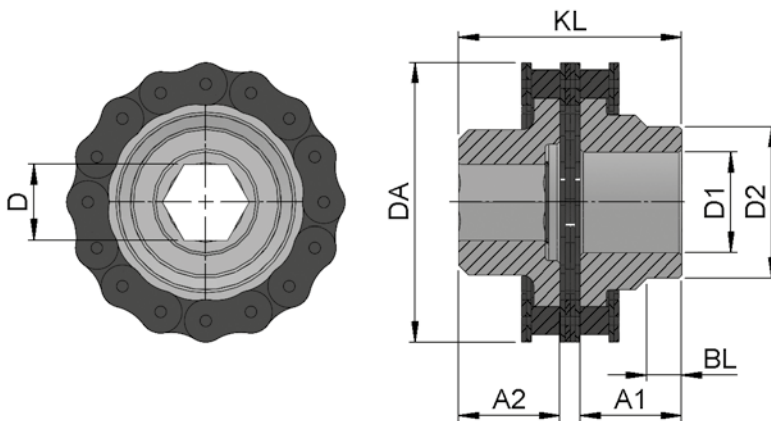


- Coupling with 1° angle adjustment and axial mounting to transmit torques from power drives to adapter tubes.
- KKS 10 for welding to tube, KKS 14 for screw-mounting.
- It is possible to remove the drive unit after the chain has been taken off.
- The 2 rows of chain links permit small alignment errors of up to 1° between drive and adapter shaft.
- Steel coupling, weldable, milled, weld hub with bore or collar for welding, or plug-in hub with bores for screw-mounting to adapter tube.
- Axial mounting with circlip, except for shaft We 68.
- Can be used for speeds of up to 30 rpm.

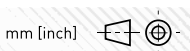
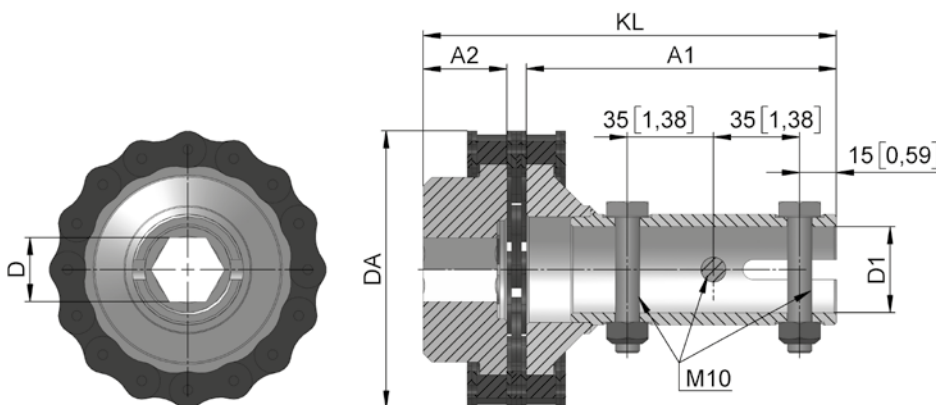
Note:

- Pay careful attention to permitted torque for the adapter tube. If necessary, use tube with larger wall thickness, e.g. 1", DIN 2441 33.7 x 4.05 mm.

KKS 10



KKS 14



KKS 10, KKS 14

1° angle adjustment



→ Please note: 'Version' only applies to complete KKS. If required, A/B sides can also be ordered separately by quoting their respective order number(s).

Shaft We 66

KKS complete

Version	Type no.	Type no. A side	Type no. B side	T max [Nm]	D [mm]	D1 [mm]	D2 [mm]	A1 [mm]	A2 [mm]	BL [mm]	DA [mm]	KL [mm]	Tube ø [mm]	Chain	m complete [kg]
KKS 10.6634	20610.6681.34	20610.9181.66	20610.9581.34	600	26	34,5	52,0	35	35	12	96	77	1";2"	5/8"x16	1,6
KKS 10.6643	20610.6681.43	20610.9181.66	20610.9581.43	600	26	43,0	52,0	35	35	12	96	77	5/4";2"	5/8"x16	1,5
KKS 14.6634	20614.6681.34	20614.9181.66	20614.9581.34	300	26	34,5	-	91	35	-	96	134	1"	5/8"x16	1,6
KKS 14.6698	20614.6698.34	20614.9191.66	20614.9591.34	450	26	34,5	-	126	35	-	114	168	1"	3/4"x16	3,0

→ Used for EWA 10-EWA 16 1200 Nm, LZG 20

Shaft We 68

KKS complete

Version	Type no.	Type no. A side	Type no. B side	T max [Nm]	D [mm]	D1 [mm]	D2 [mm]	A1 [mm]	A2 [mm]	BL [mm]	DA [mm]	KL [mm]	Tube ø [mm]	Chain	m complete [kg]
KKS 10.6843	20610.6898.43	20610.9191.68	20610.9591.43	750	30	43,0	52,0	26	35	3	114	70	5/4";2"	3/4"x16	2,5

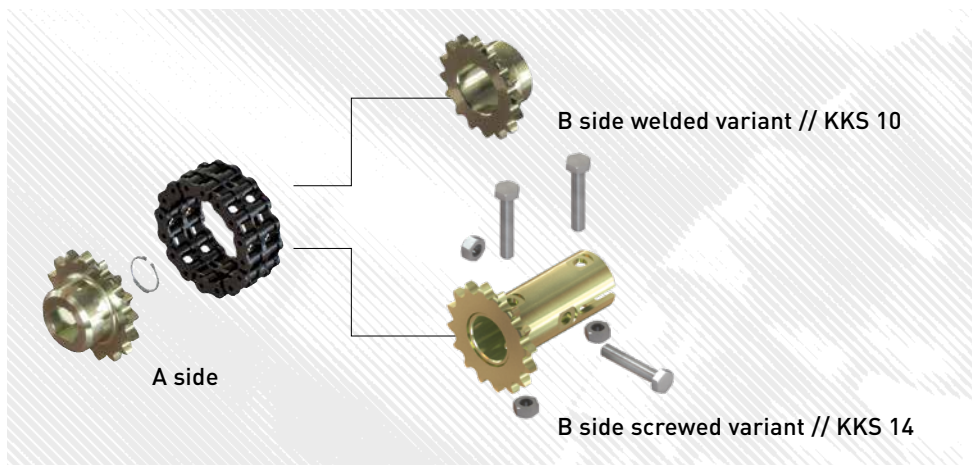
→ Used for LZG 24

Shaft We 19

KKS complete

Version	Type no.	Type no. A side	Type no. B side	T max [Nm]	D [mm]	D1 [mm]	D2 [mm]	A1 [mm]	A2 [mm]	BL [mm]	DA [mm]	KL [mm]	Tube ø [mm]	Chain	m complete [kg]
KKS 10.1934	20610.1998.34	20610.9191.19	20610.9591.34	750	45	34,5	41,3	26	50	3	114	85,5	1";1 1/2"	3/4"x16	2,6
KKS 10.1943	20610.1998.43	20610.9191.19	20610.9591.43	750	45	43,0	52,0	26	50	3	114	85,5	5/4";2"	3/4"x16	2,6
KKS 10.1961	20610.1998.61	20610.9191.19	20610.9591.61	1.000	45	61,0	75,0	26	50	3	114	85,5	2";t=4,5	3/4"x16	2,5

→ Used for EWA 16 1200 Nm + 1500 Nm



Option: A side available in components (sprocket wheel, chain).