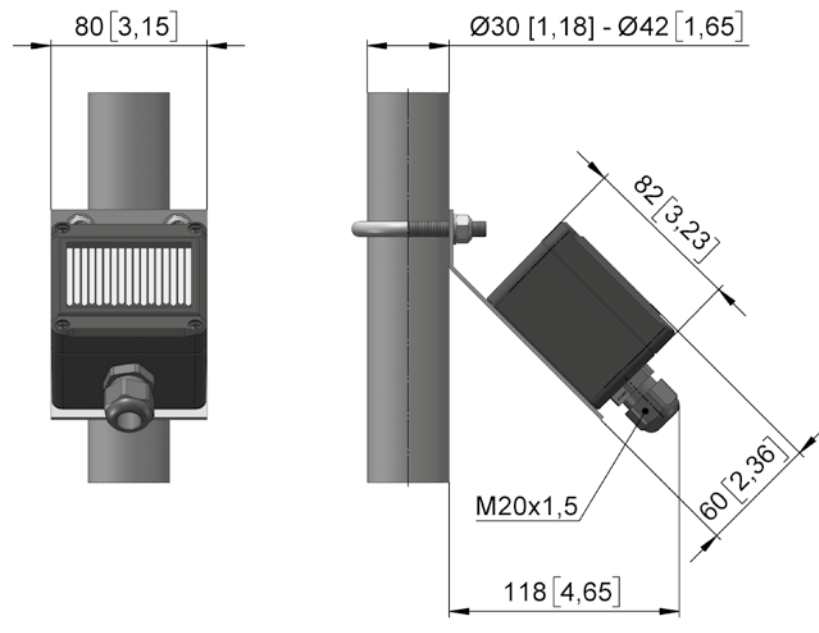


RST 65 // Rain sensor



- Rain sensor for automatic closing of ventilation systems during rain or snow.
- The electronic sensor plate with integrated heating guarantees precise regulation.
- Potential-free switch contacts.
- Turnkey condition with 5 m cable (power line and signal line). Enables simple and quick assembly.
- The rain sensor can be used on LSR ventilation controllers or on EHS reversible contactor control units.
- Scope of delivery: rain sensor with retaining bracket and stirrup bolt (without tube).



mm [inch]

Version	Type no.	U [V]	m [kg]
RST 65.1023	30665.1023.0101	230	0,8