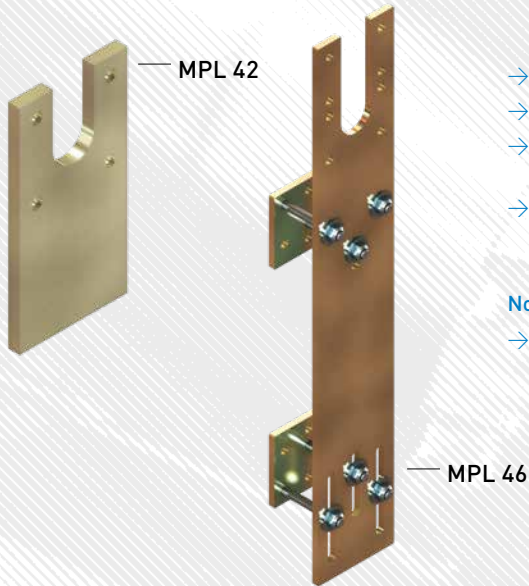


# MPL 42, MPL 46 // Mounting plates

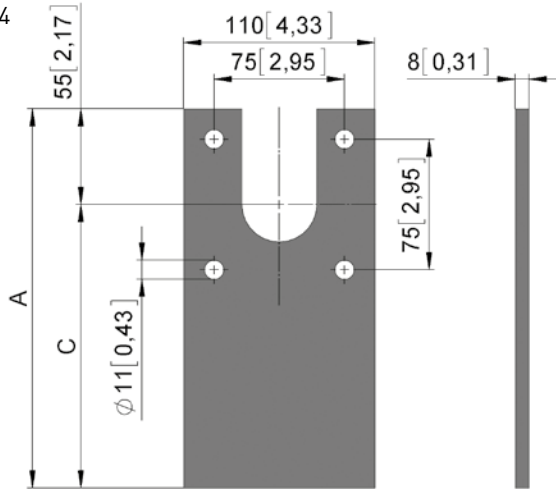


- Mounting plate for transverse mounting of EWA units.
- MPL 42 for welding or bolting to beams or supports.
- MPL 46 for clamping to rail mountings, e.g. in Venlo structures. Variable for use with various rail mounting dimensions.
- Due to the clamping function, no additional drilling is required for the MPL 46.

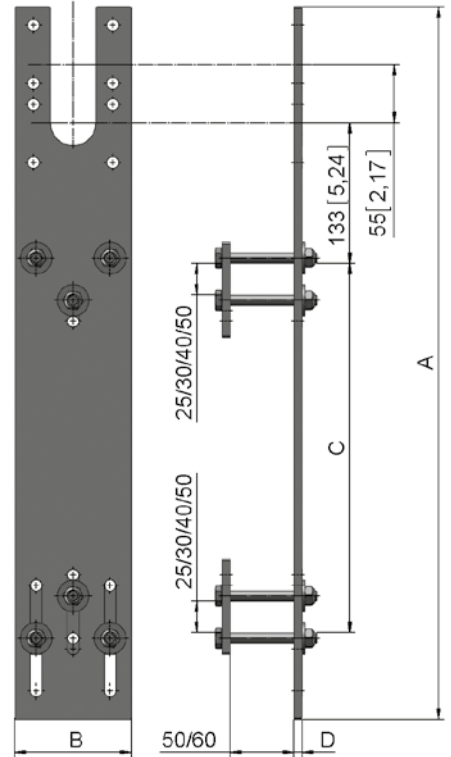
**Note:**

- The holes needed for bolting in mounting plate MPL 42 must be drilled additionally.

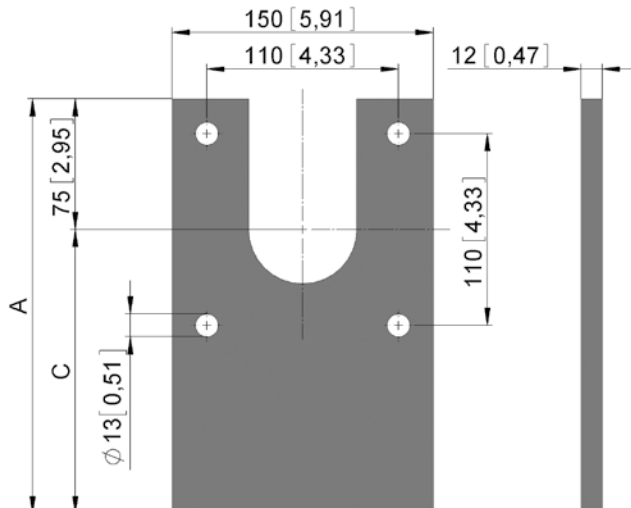
**MPL 42**  
for EWA 10 – EWA 14



**MPL 46**  
for EWA 10 – EWA 16



**MPL 42**  
for EWA 16



mm [inch]

## MPL 42



Version	Type no.	A [mm]	C [mm]	m [kg]
<b>EWA 10/12/14</b>				
MPL 42.1121	82442.1101.2104	218	163	1,2
MPL 42.1158	82442.1101.5804	584	529	3,9
MPL 42.1165	82442.1101.6504	645	590	5,1
<b>EWA 16</b>				
MPL 42.1523	82442.1502.2304	238	163	2,9
MPL 42.1578	82442.1502.7804	785	710	12,5

## MPL 46



Version	Type no.	A [mm]	B [mm]	C [mm]	D [mm]	m [kg]
<b>EWA 10/12/14</b>						
MPL 46.1167	82546.1102.0001	675	110	350-399	8	6,0
MPL 46.1172	82546.1102.0002	725	110	400-449	8	6,2
MPL 46.1177	82546.1102.0003	775	110	450-499	8	6,5
MPL 46.1182	82546.1102.0004	825	110	500-549	8	6,7
MPL 46.1187	82546.1102.0005	875	110	550-599	8	7,0
MPL 46.1192	82546.1102.0006	925	110	600-649	8	7,2
MPL 46.1197	82546.1102.0007	975	110	650-699	8	7,4
MPL 46.1102	82546.1102.0008	1025	110	700-749	8	7,7
<b>EWA 16</b>						
MPL 46.1572	82546.1502.0001	720	150	350-399	12	10,2
MPL 46.1577	82546.1502.0002	770	150	400-449	12	10,6
MPL 46.1582	82546.1502.0003	820	150	450-499	12	11,7
MPL 46.1587	82546.1502.0004	870	150	500-549	12	12,4
MPL 46.1592	82546.1502.0005	920	150	550-599	12	13,1
MPL 46.1597	82546.1502.0006	970	150	600-649	12	13,8
MPL 46.1502	82546.1502.0007	1020	150	650-699	12	14,5
MPL 46.1507	82546.1502.0008	1070	150	700-749	12	15,2